



ASSEMBLY GUIDE

MODEL: DT1200



ASSEMBLY INSTRUCTIONS

1. Unpack the unit, and place it on the ground as in Figure 1.
2. Align the "quick-connects" located in each side of the lower and upper tube, and secure the male and female together by twisting clockwise to tighten as in Figure 2.
3. Insert upper and lower tubes and press the spring bulge to ensure both tubes are securely placed, as in Figure 3.
4. Place the cable in the base as in Figure 4.
5. Place the unit in standing position as in Figure 5.
6. Your Dynatrap is now ready to be connected to the electrical outlet.

Figure 1

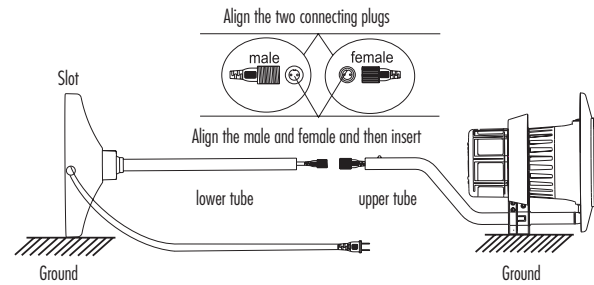


Figure 2

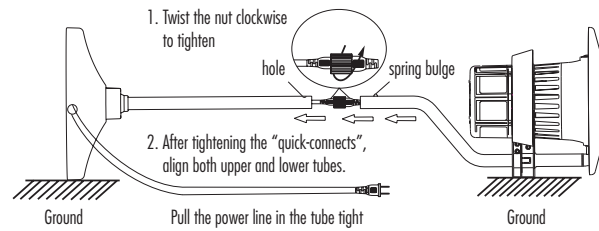


Figure 3

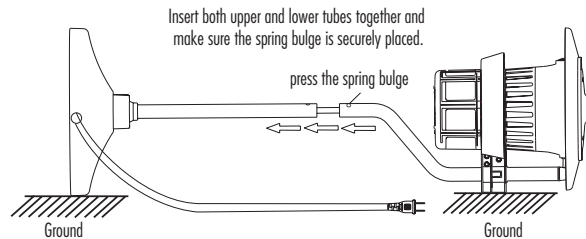


Figure 4

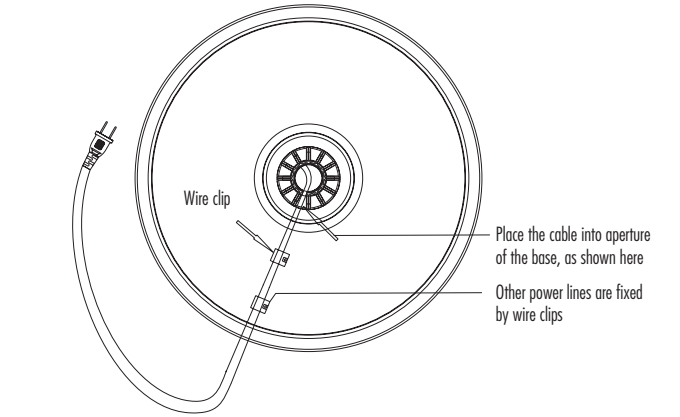


Figure 5

